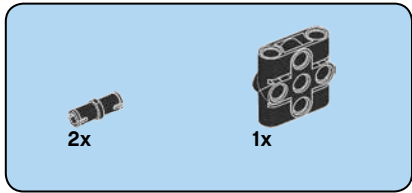
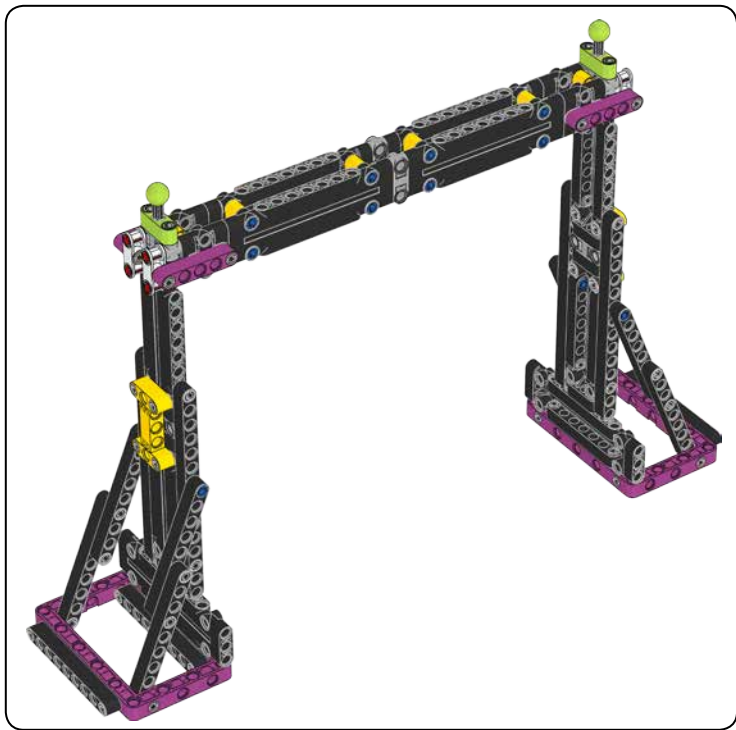
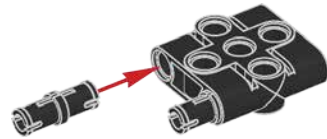


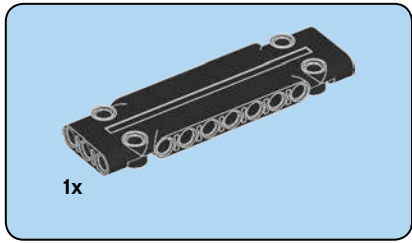
45813



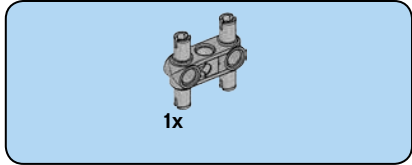
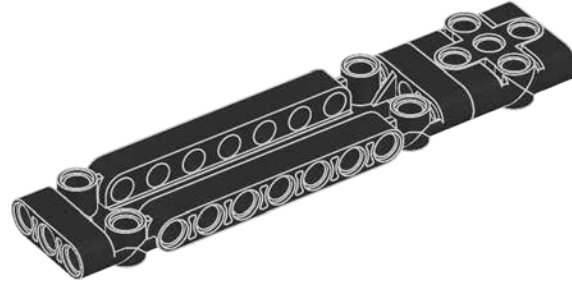


1

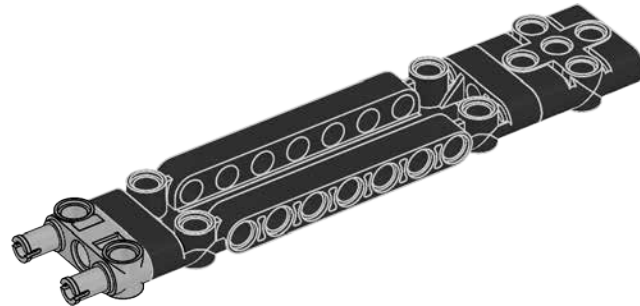


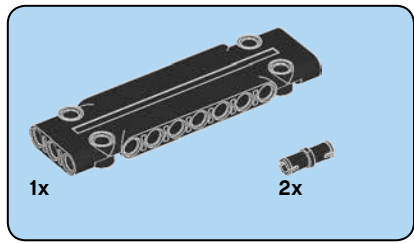


2

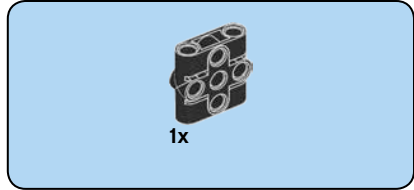


3



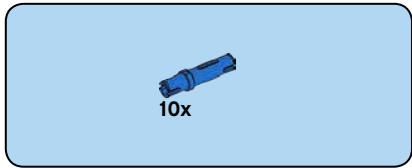


4

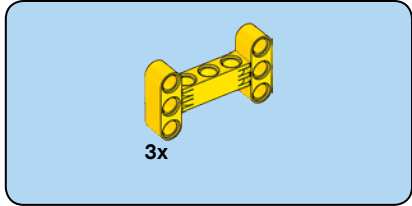
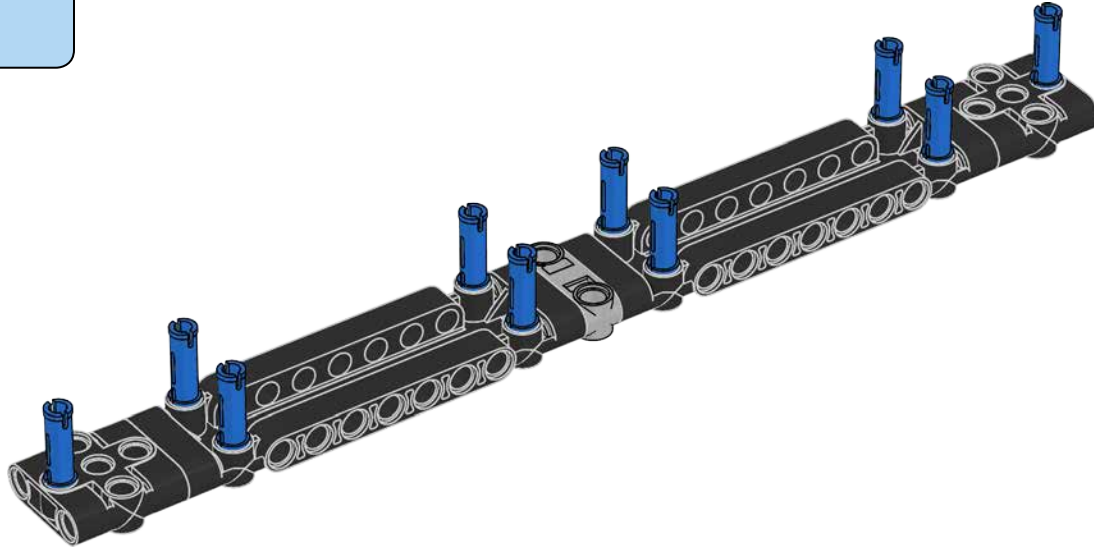


5

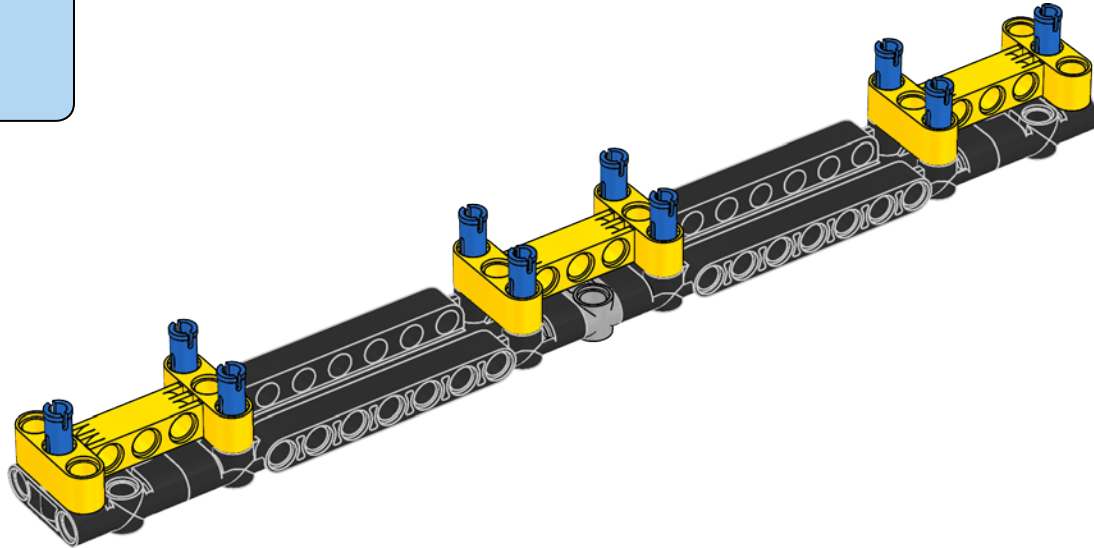


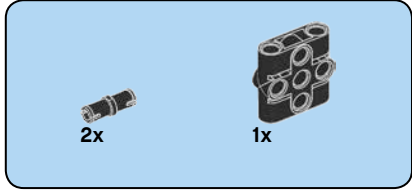
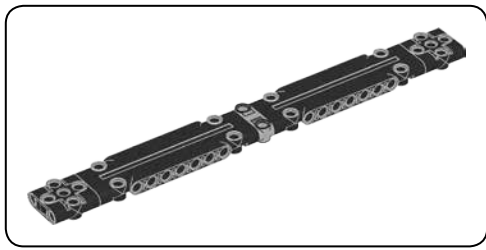


6

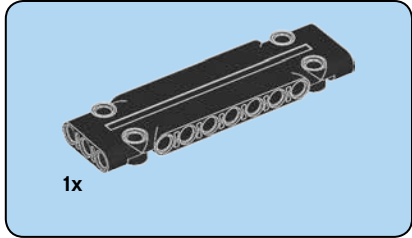


7

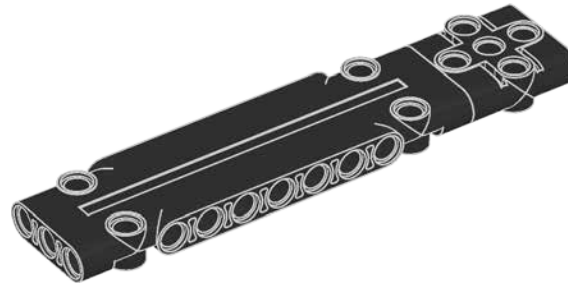
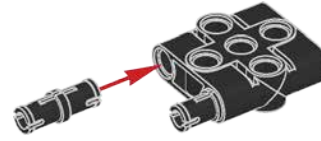


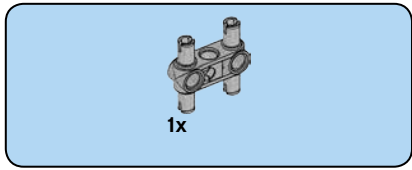


8

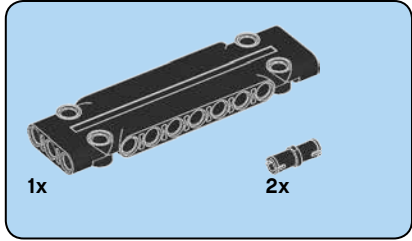
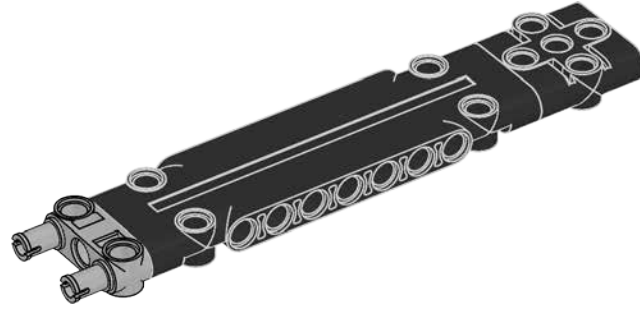


9

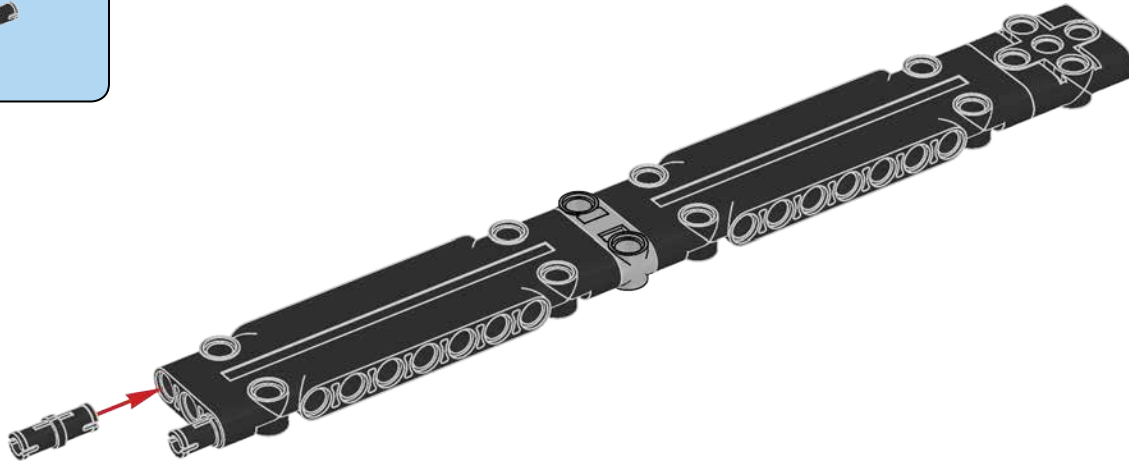


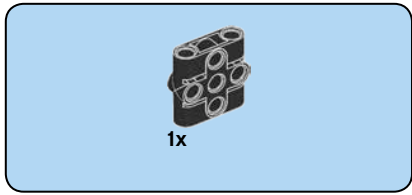


10



11

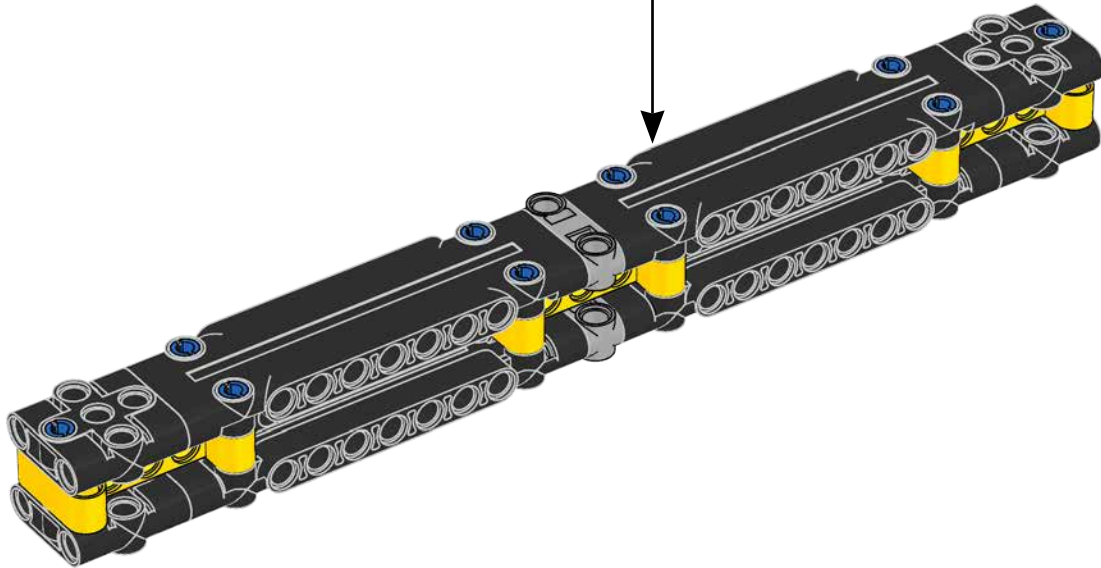




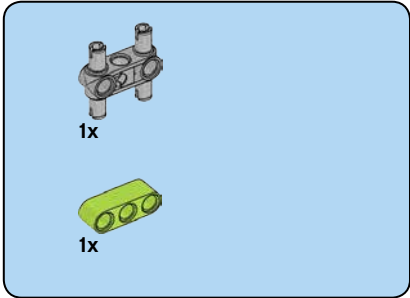
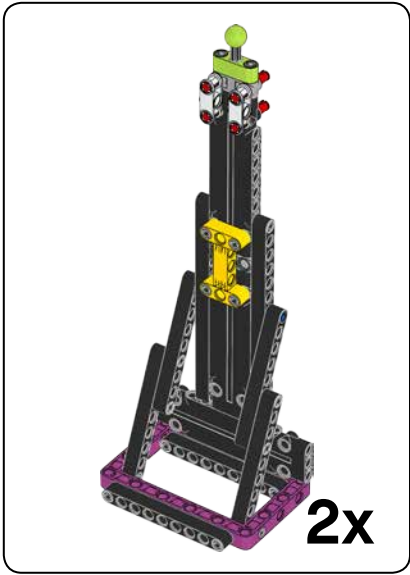
12



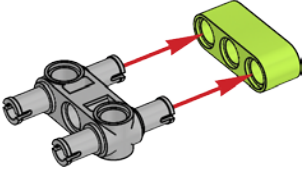
13

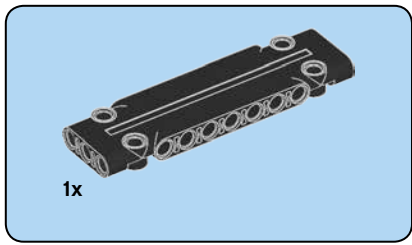




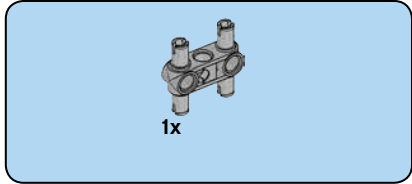
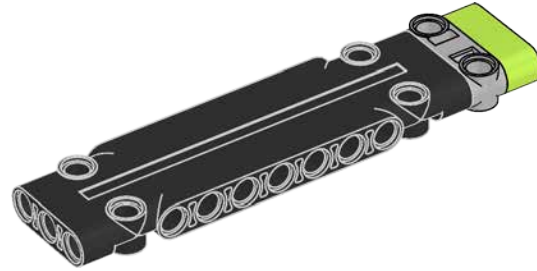


14

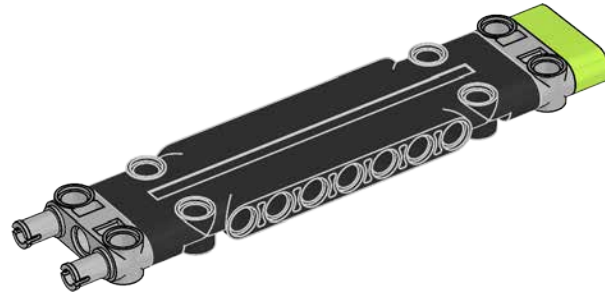


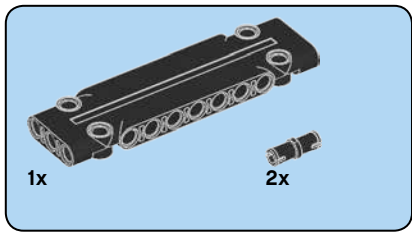


15

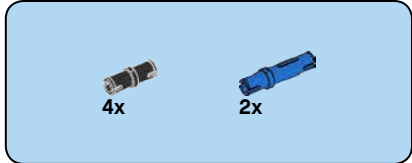
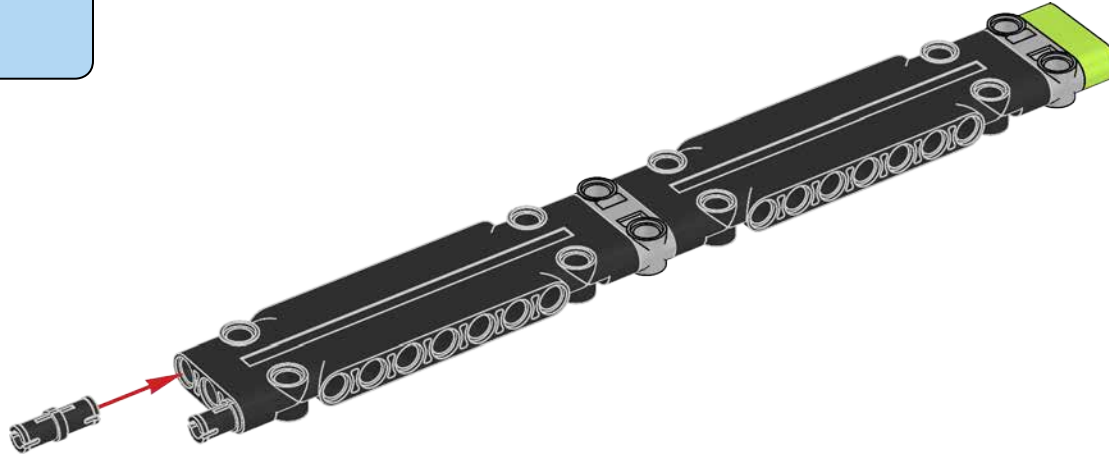


16

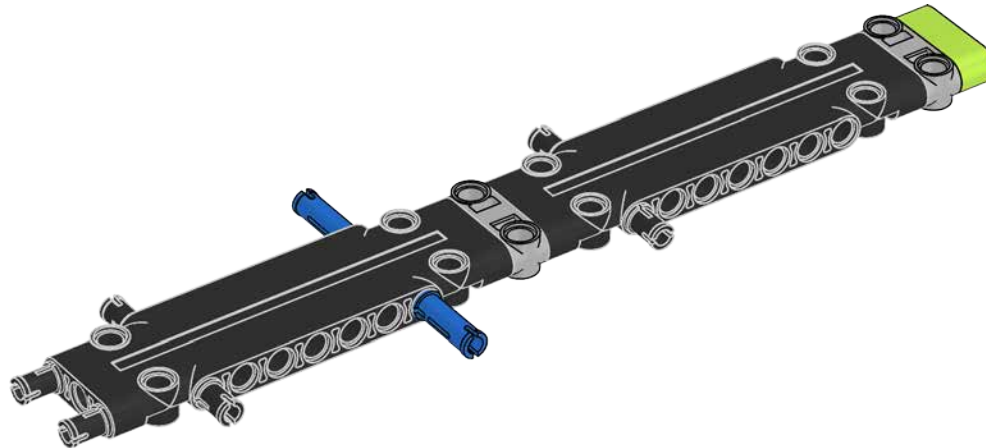


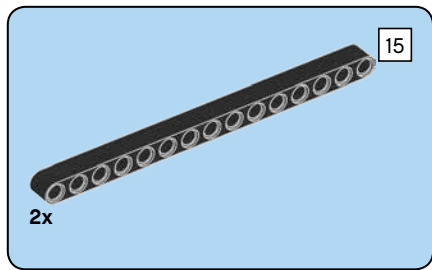


17

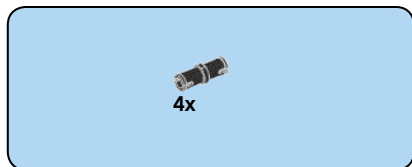
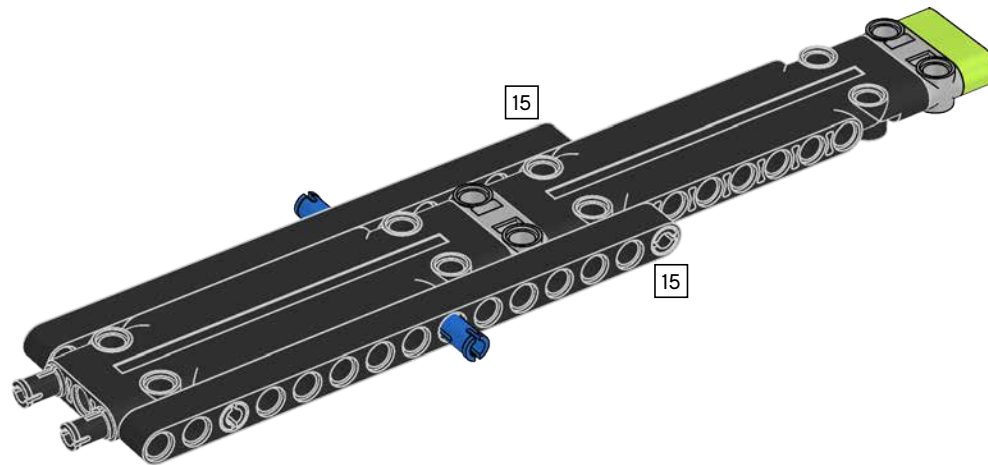


18

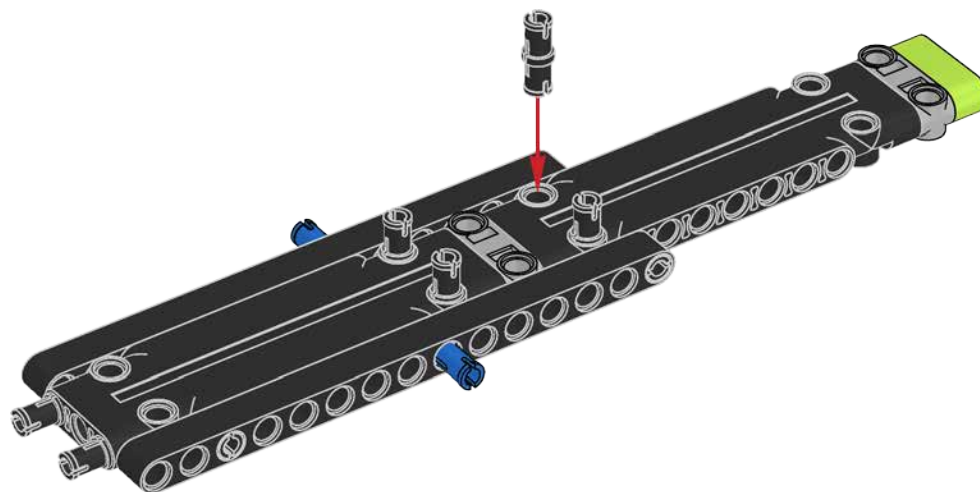


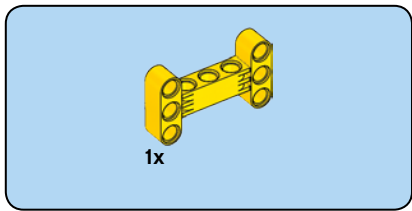


19

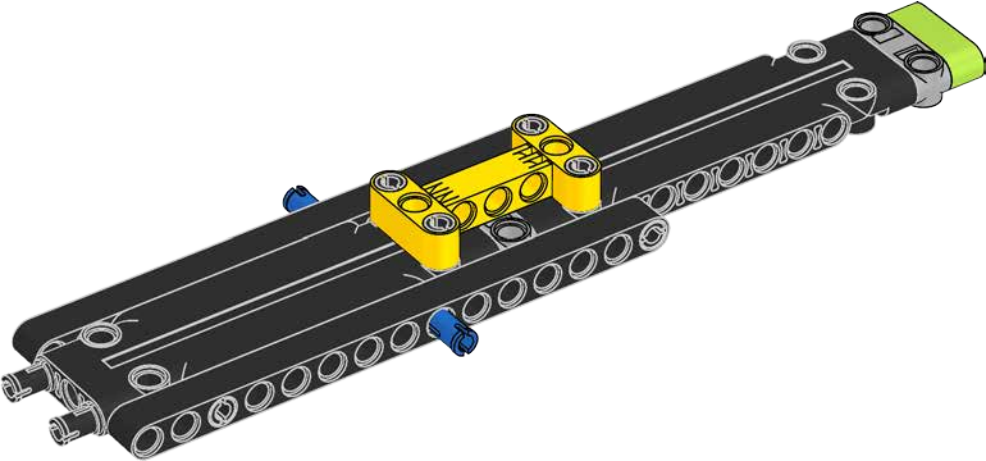


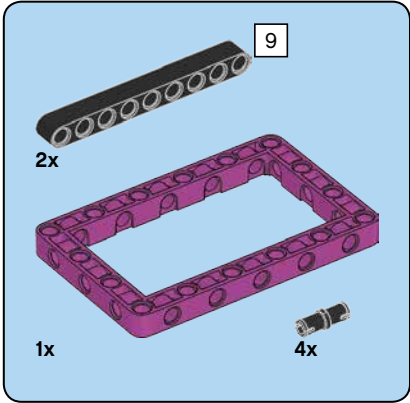
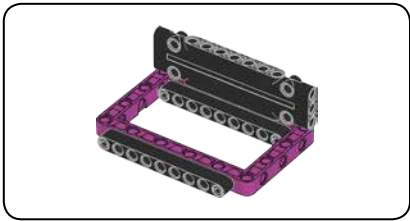
20



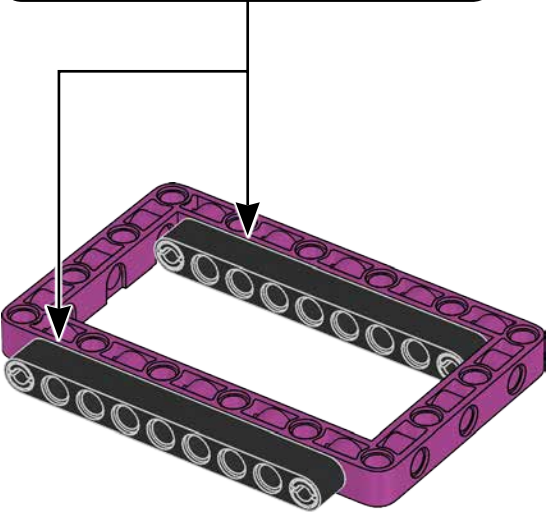
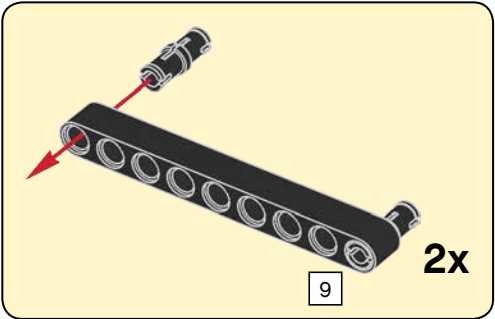


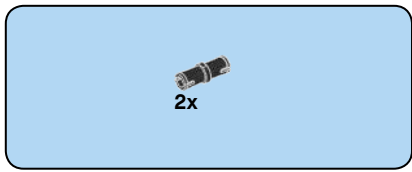
21



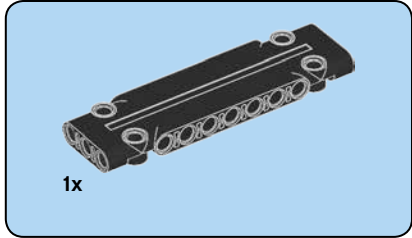
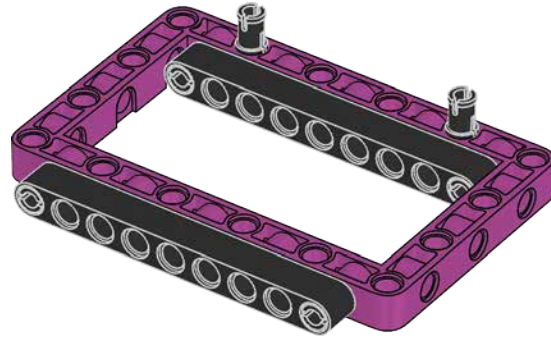


22

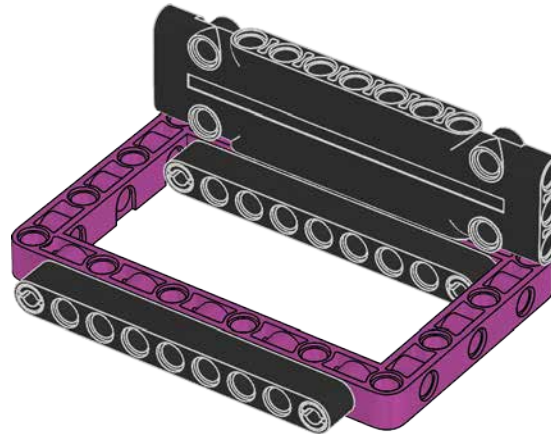


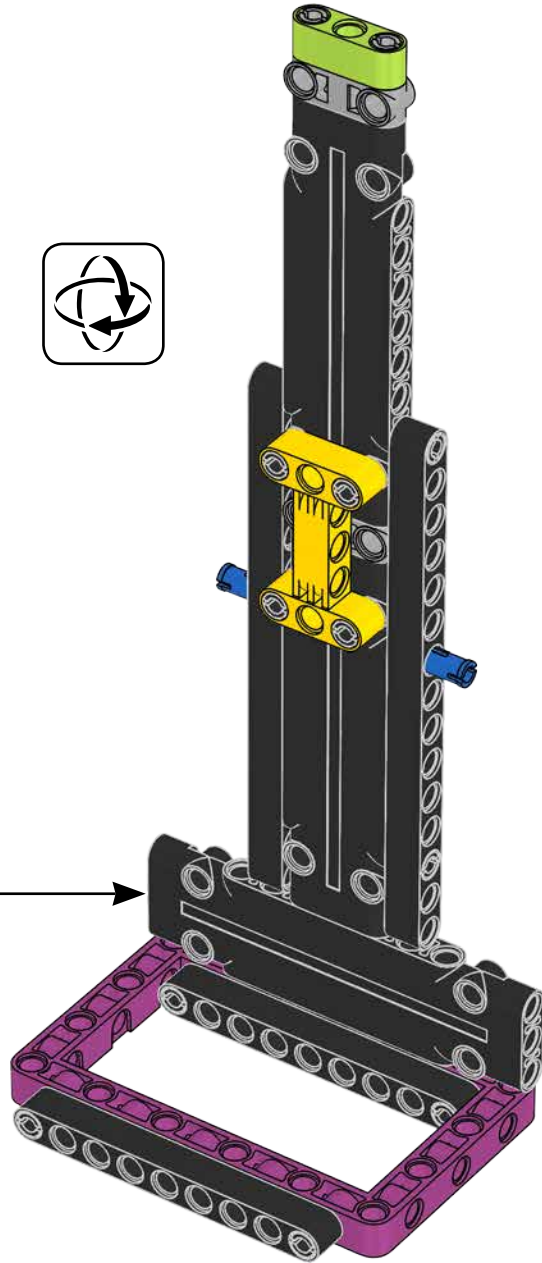
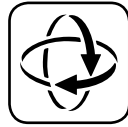


23

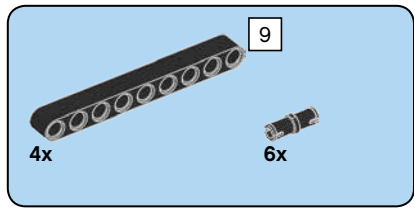


24

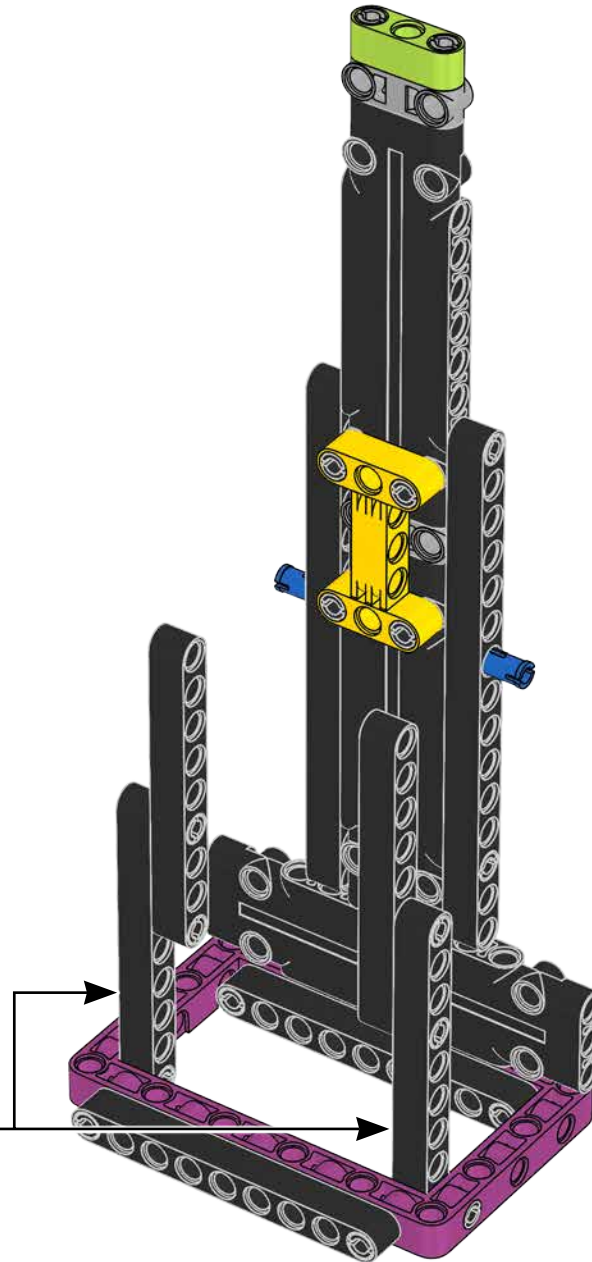
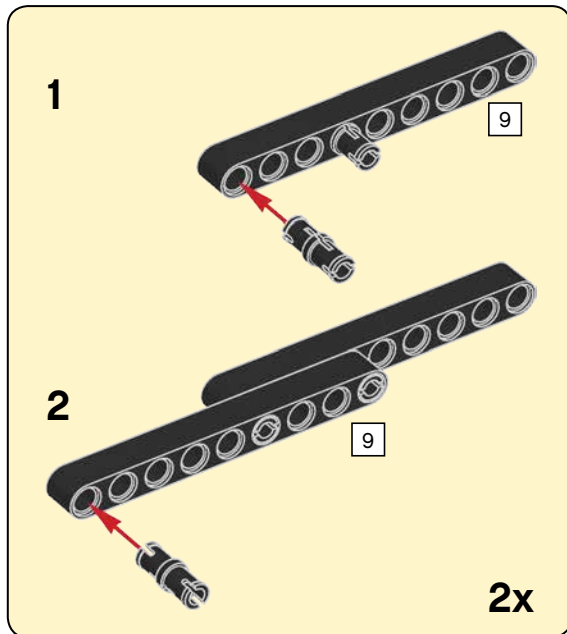


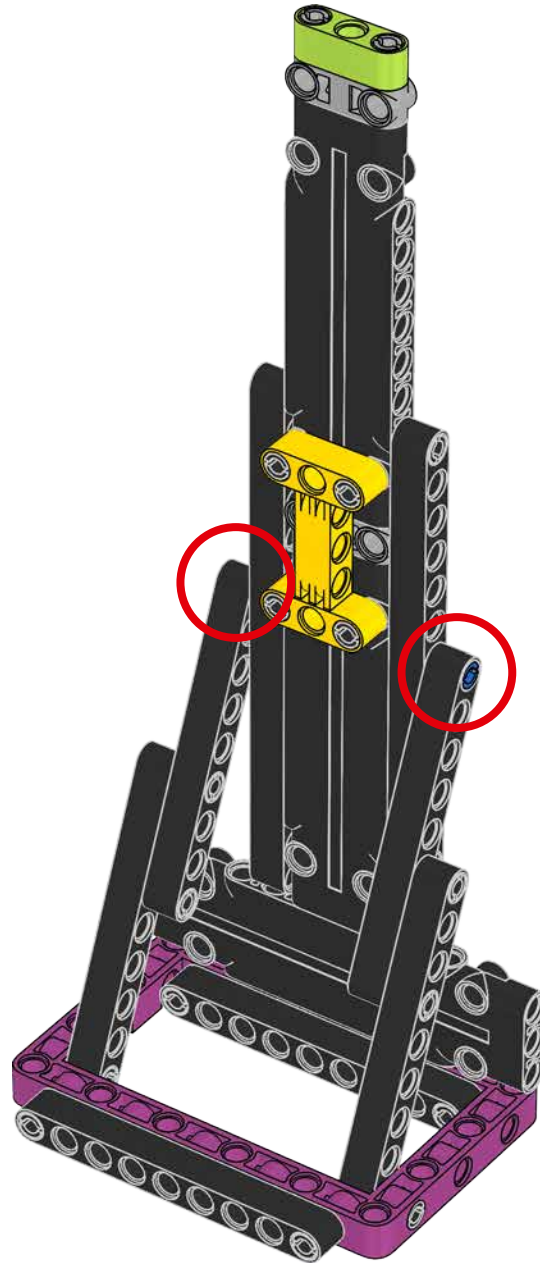


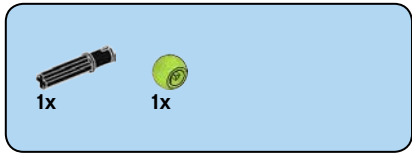




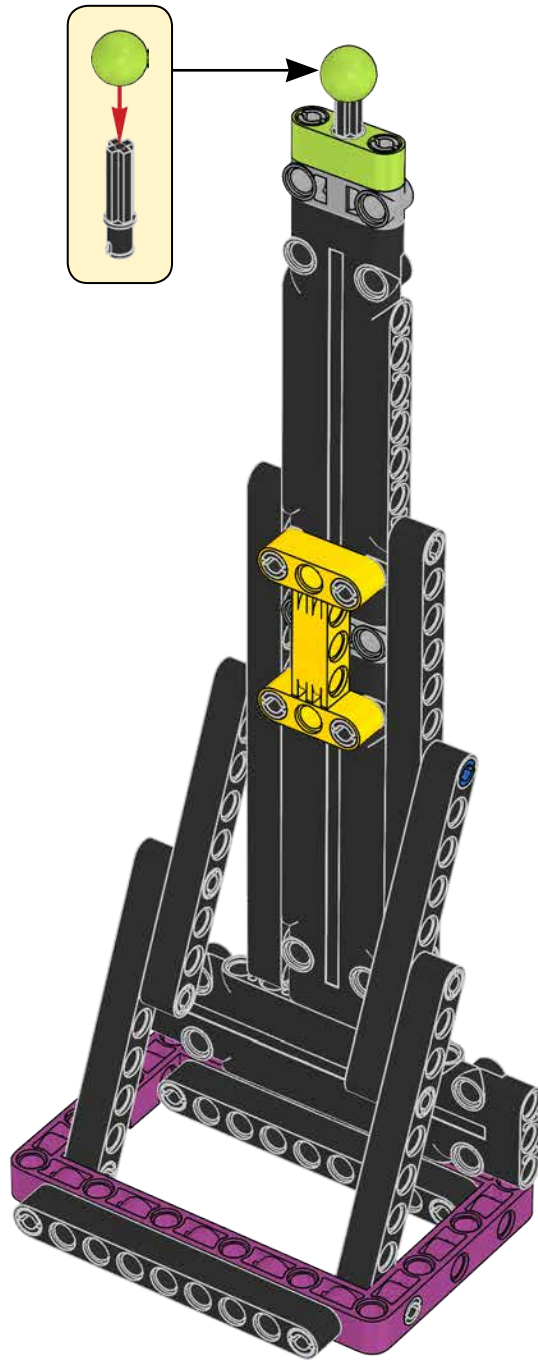
26

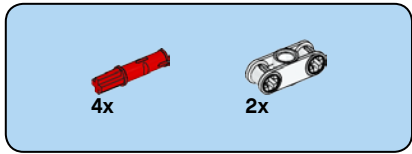




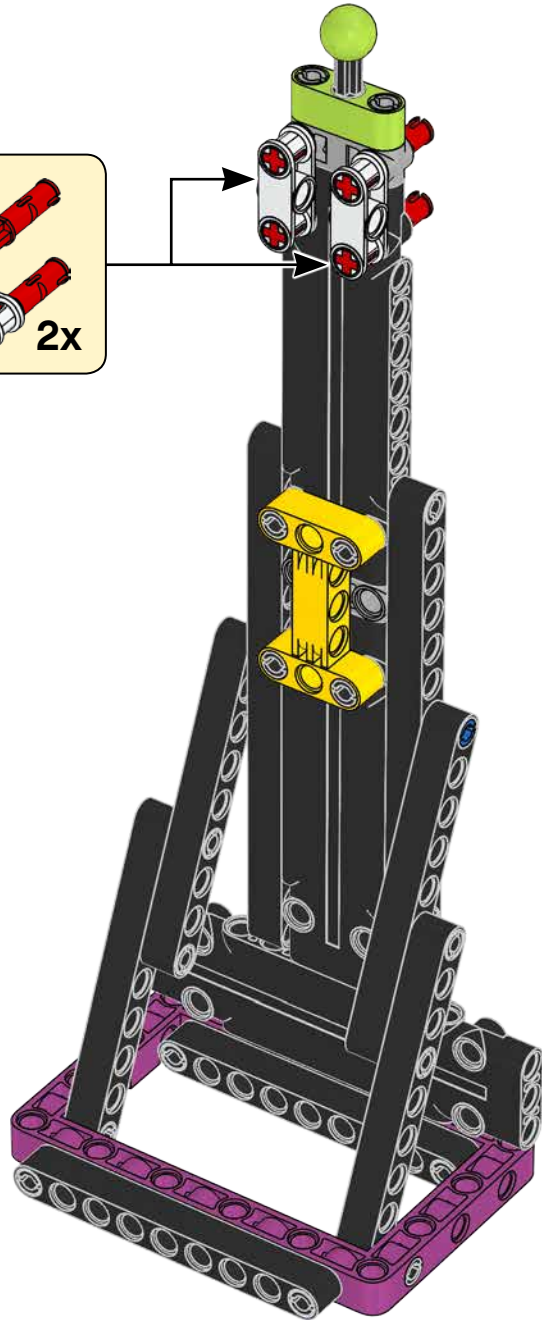
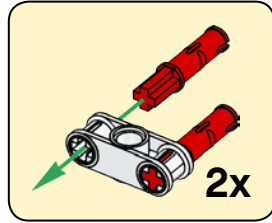


28





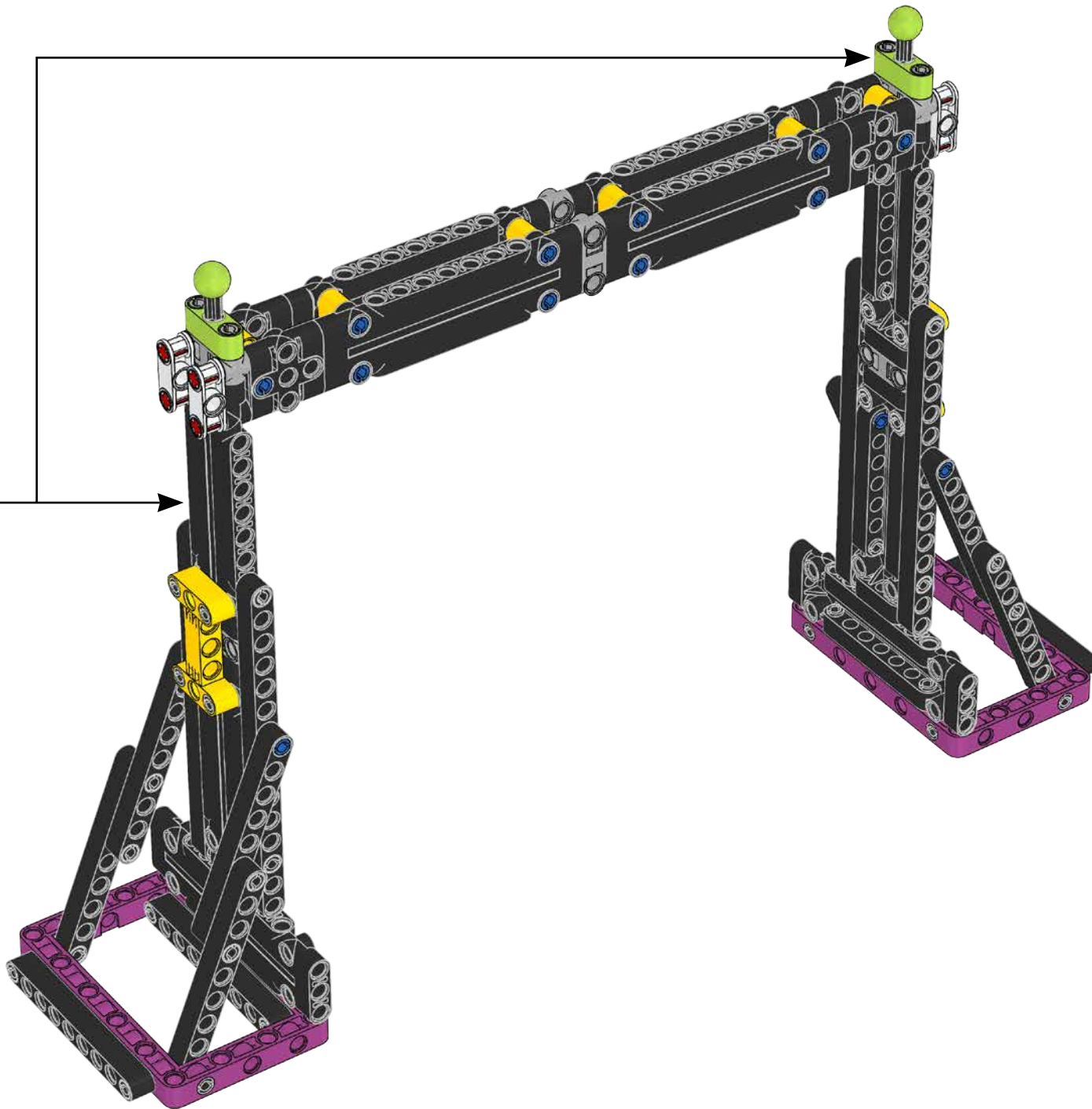
29

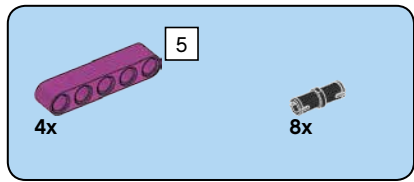


2x

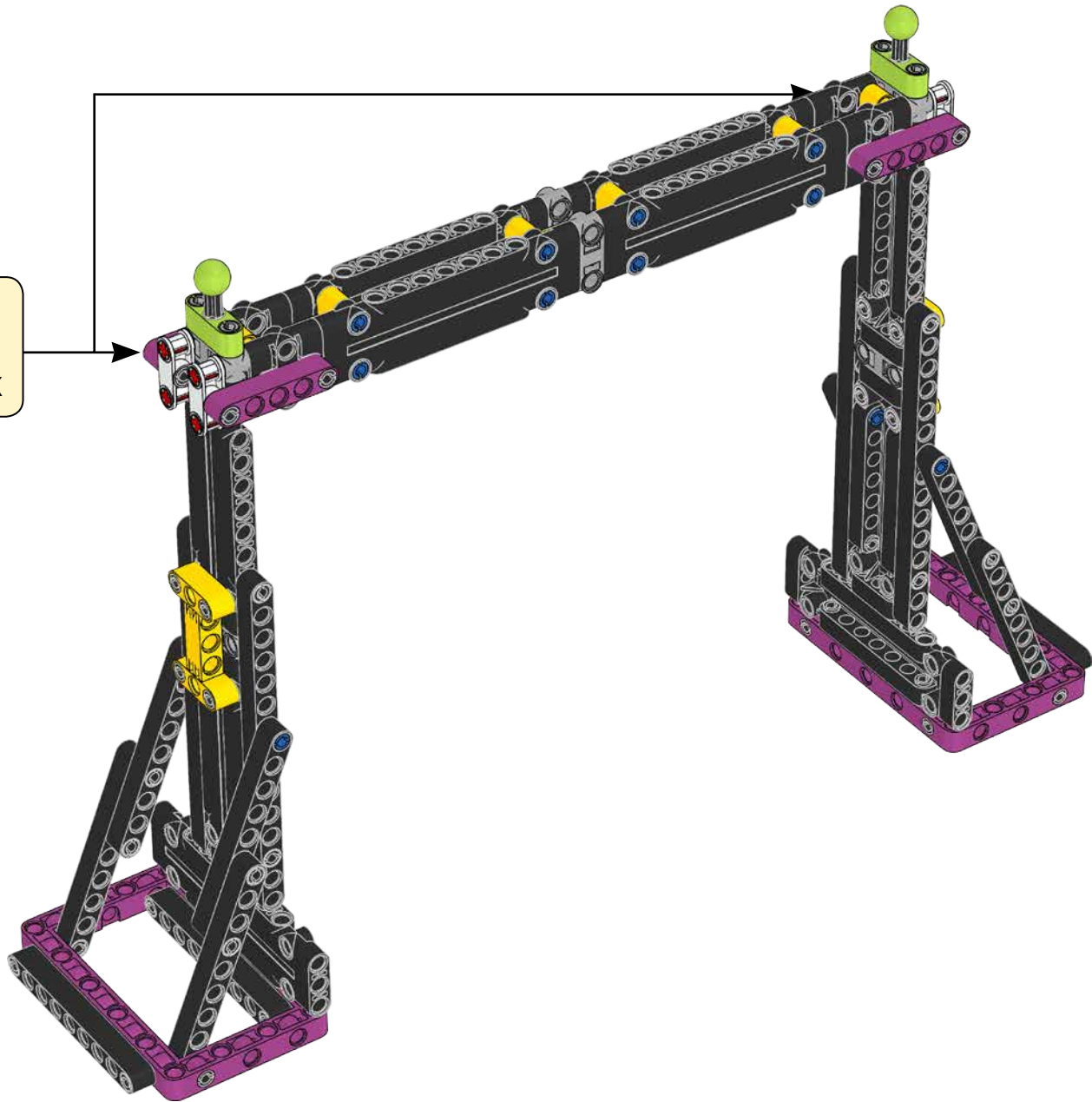
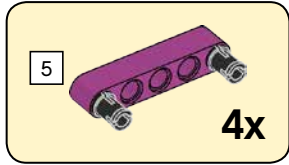


30





31



LEGO and the LEGO logo are trademarks of the/son des marques de commerce du/son marcas registradas de LEGO Group. ©2020 The LEGO Group.

FIRST® is a registered trademark of For Inspiration and Recognition of Science and Technology (FIRST). LEGO® is a registered trademark of the LEGO Group. FIRST® LEGO® League are jointly held trademarks of FIRST and the LEGO Group. ©2020 FIRST and the LEGO Group. All rights reserved.